
Intermot Hydraulic Motors

IHM Series

H1 Models

IHM 70 – 80 – 100 – 125 – 150 – 200 H1

INDEX

TECHNICAL DATA	Pag. 5
IHM 70 – 80 – 100 – 125	
150 – 200 H1	Pag. 6
ORDERING INSTRUCTIONS	Pag. 7

IHM H1

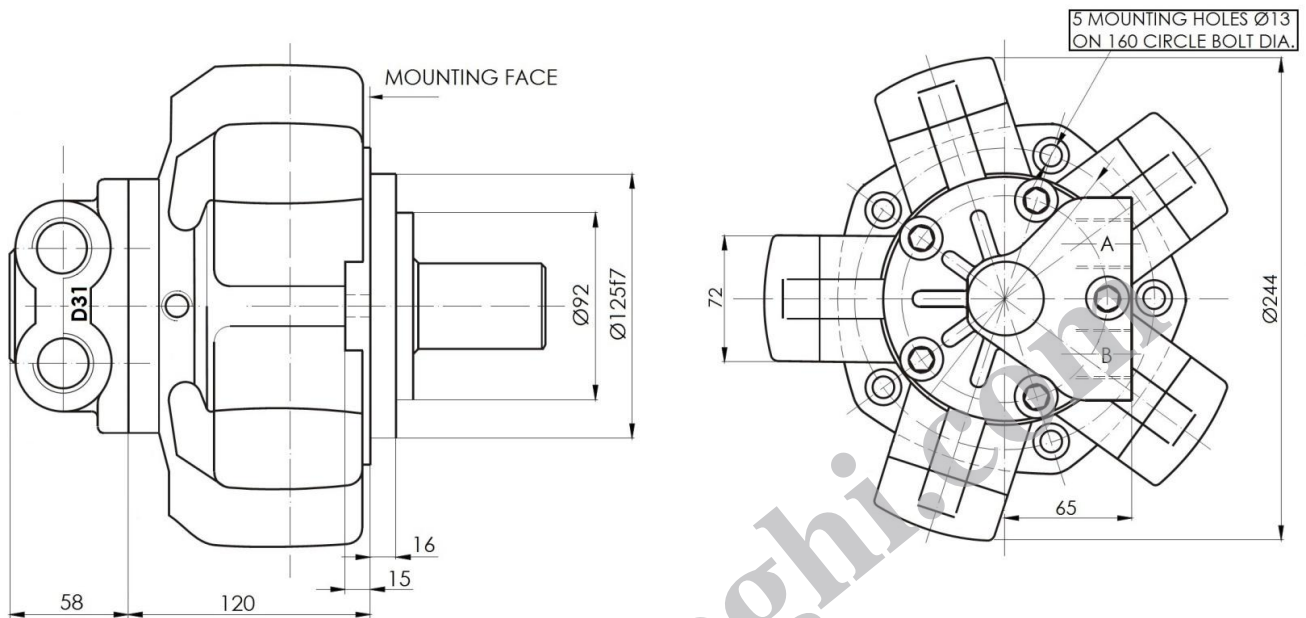
Technical data

MODEL		N° of pistons	Displacement	Pressure		Speed		Torque		Dry Mass
				Max Cont.	Peak	Minimum speed	Max speed	Rated	Specific	
			cm3/rev	bar		rpm		Nm	Nm/MPa	kg
IHM H1	70	5	77	250	320	15	1500	284	11	20
	80		91	250	320	15	1250	335	13	
	100		96	250	320	15	1000	355	14	
	125		126	200	250	15	1000	371	19	
	150		159	160	200	15	1000	376	24	
	200		196	160	200	15	800	464	29	

IHM H1

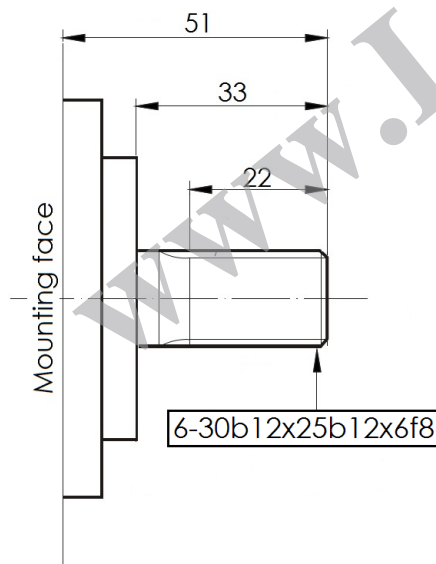
Dimensional drawings

IHM 70 – 80 – 100 – 125 – 150 – 200 H1

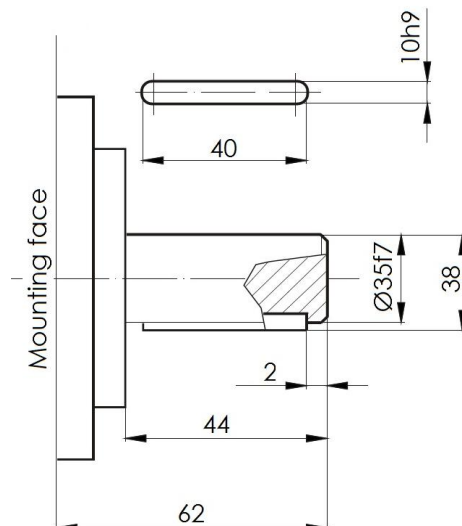


SHAFTS

A0: Standard Splined Shaft



A2: Parallel Shaft on Request



For further shaft configurations, please contact our technical department

IHM H1

Ordering instructions

IHM	---	H1	A _	D _ _
Model				
Displacement				
70 cc/rev				
80 cc/rev				
100 cc/rev				
125 cc/rev				
150 cc/rev				
200 cc/rev				
		Housing		
H1				
			Shaft	
A0 – Standard splined shaft				
A2 – Parallel keyed shaft				
				Distributor
D31 – ¾" BSP				
D310 – 1" BSP				
D40 – 1" BSP				
D47 – SAE 1" 3000 psi flange				

EXAMPLE : IHM 100 H1 A0 D31